



ACCESS flexibility.

HID's iCLASS® 13.56 MHz read/write contactless smart card technology enables numerous applications and supports future growth for an organization's credential program. A unique form factor, the iCLASS Key II provides the convenience of an iCLASS contactless read/write smart card that is durable for harsh environments.

The size of a typical automotive key, this credential form factor can be placed on a key ring or lanyard and customized for corporate identity and branding purposes. The molded plastic key fob is ideal for diverse applications including access control, network log-on security, parking applications, cashless vending, time and attendance and biometric verification.

Features:

- ▶ The iCLASS 13.56 MHz read/write contactless smart key technology provides high-speed, reliable communications with high data integrity.
- ▶ iCLASS technology ensures high security with mutual authentication, encrypted data transfer, and 64-bit diversified keys for read/write capabilities.
- ▶ Any existing HID format can be factory or field programmed into the secure HID access control application area.
- ▶ Available in 2k bit (256 Byte), 16k bit (2k Byte) or 32k bit (4k Byte) configurations.
- ▶ Molded plastic enclosure provides durability in harsh environments.

All 2k bit (256 Byte) iCLASS credentials have the following features:

- ▶ Available in two application area configuration only.
- ▶ Provides the HID standard access control application area and one other application area for user customization.
- ▶ Meets ISO 15693 standard for contactless communications.
- ▶ Provides a cost effective way to improve the security of your access control installation.

All 16k bit (2k Byte) and 32k bit (4k Byte) iCLASS credentials have the following features:

- ▶ Sufficient read/write memory to store multiple biometric templates.
- ▶ 16k available in a two or sixteen application area configuration. 32k available with 16k memory configured in either 2 or 16 application areas, plus an additional 16k user configurable memory.
- ▶ Meets ISO 15693 and 14443B for contactless communications.

Features

Read/write Functionality for Multi-functional Memory Applications

iCLASS® was specifically designed to make access control more powerful, more versatile, and more secure. All radio frequency data transmission between the key and reader is encrypted using a secure algorithm. By using industry standard encryption techniques, iCLASS reduces the risk of compromised data or duplicated keys. Multiple securely separated application areas are each protected by 64-bit diversified read/write keys which allow complex applications and provide for future expansion.

Security mechanisms such as mutual authentication and encryption are efficiently combined with fast processing and data communication, resulting in transaction times of less than 100 milliseconds for a typical secure e-purse transaction.

Proven, Reliable Technology

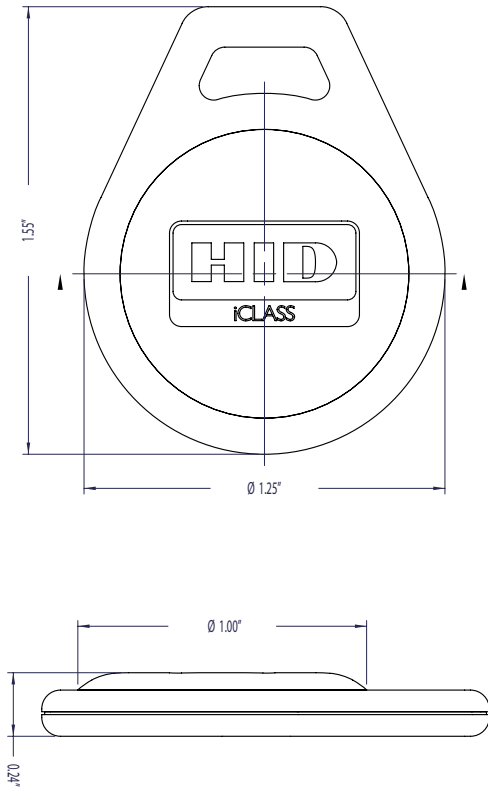
Offers extremely consistent read range. Unaffected by body shielding or variable environmental conditions.

Small and Convenient

Can be carried with keys in pocket, handbag, or clipped on a lanyard.

Long Life

Passive, no-battery design allows for an estimated minimum 100,000 reads.



Base Part Number

2050, 2051, 2052, 2053, 2054

Description

RF-programmable, 13.56 kHz, black with blue insert, customer-specified ID Numbers.

*Typical Maximum Read Range

R10 2" (5.1 cm)
 RP15 1 3/4" (4.6 cm)
 R30/RW300 2 1/4" (5.9 cm)
 R40/RW400 2 3/4" (7.0 cm)
 RK40/RWK400 2" (5.1 cm)
 RP40 2 1/2" (6.6 cm)

Dimensions

1.555 x 1.25 x 0.235 inches max (3.95 x 3.18 x 0.60 cm)

Key Fob Construction

Ultrasonically welded ABS Shell with TPE insert

Operating Temperature

-50° to 160° F (-45° to 70° C)

Weight

0.14 oz (4.0g)

Memory Size/ Application Areas

2k bit (256 Byte) key – 2 application areas
 16k bit (2k Byte) key – 2 or 16 application areas
 32k bit (4k Byte) card – 16k bits in 2 or 16 application areas plus 16k bit user configurable.

HID Proximity 125 kHz

No

Contact Smart Chip Module Embeddable

No

Wiegand Stripe

No

Magnetic Stripe

No

Printable

No

Standard HID Artwork

Yes

Slot Punch

Key Ring Hole

Visual Security Options

N/A

Additional Security Options

Corporate 1000

Warranty

Lifetime

Options

Key Ring sold separately (Part Number: 57-0001-02)

External card numbering (inkjet or laser engraving).
 *Dependent upon installation conditions. Tested using Rev "C" readers.



ACCESS experience.

HID Global Offices:

Corporate North America
 15370 Barranca Pkwy
 Irvine, CA 92618
 U.S.A.
 Phone: (800) 237-7769
 Phone: +1 (949) 732-2000
 Fax: +1 (949) 732-2360

Asia Pacific
 19/F 625 King's Road
 North Point
 Island East
 Hong Kong
 Phone: +852 3160-9800
 Fax: +852 3160-4809

Latin America
 Circunvalacion Ote. #201 B
 Despacho 2
 Col. Jardines del Moral
 Leon 37160, Gto.
 Mexico
 Phone: +52 477 779 1492
 Fax: +52 477 779 1493

Europe, Middle East & Africa
 Phoenix Road
 Haverhill, Suffolk
 CB9 7AE
 England
 Phone: +44 (0) 1440 714 850
 Fax: +44 (0) 1440 714 840